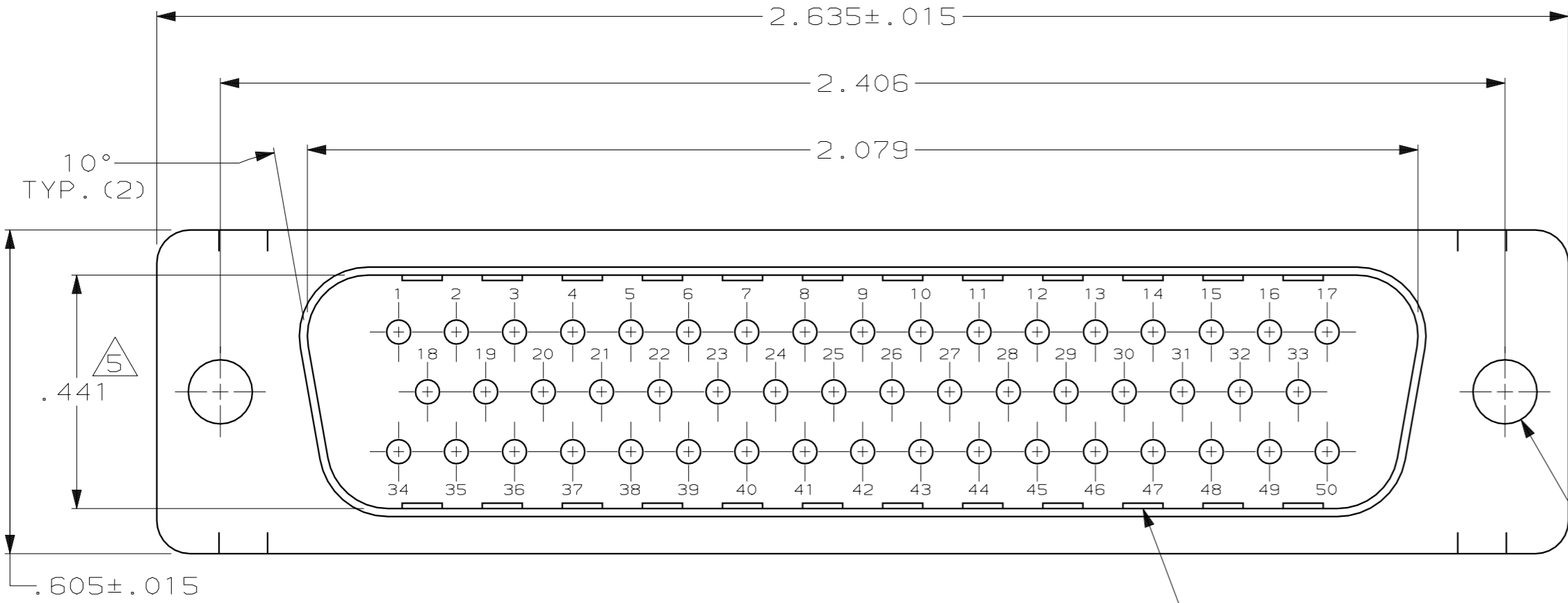
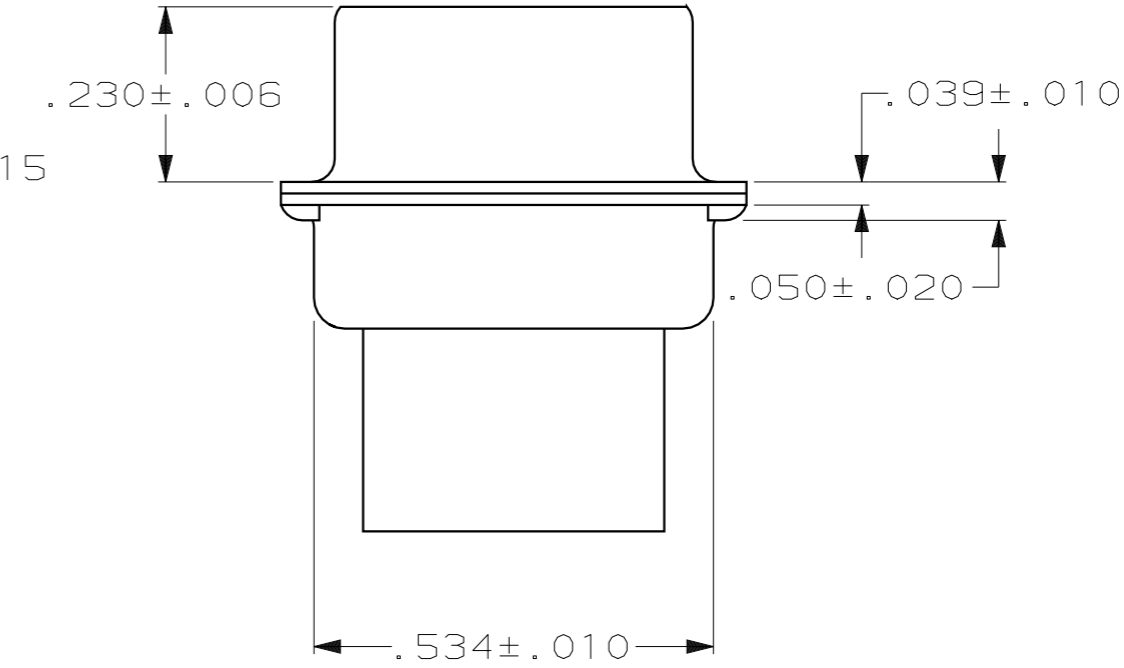
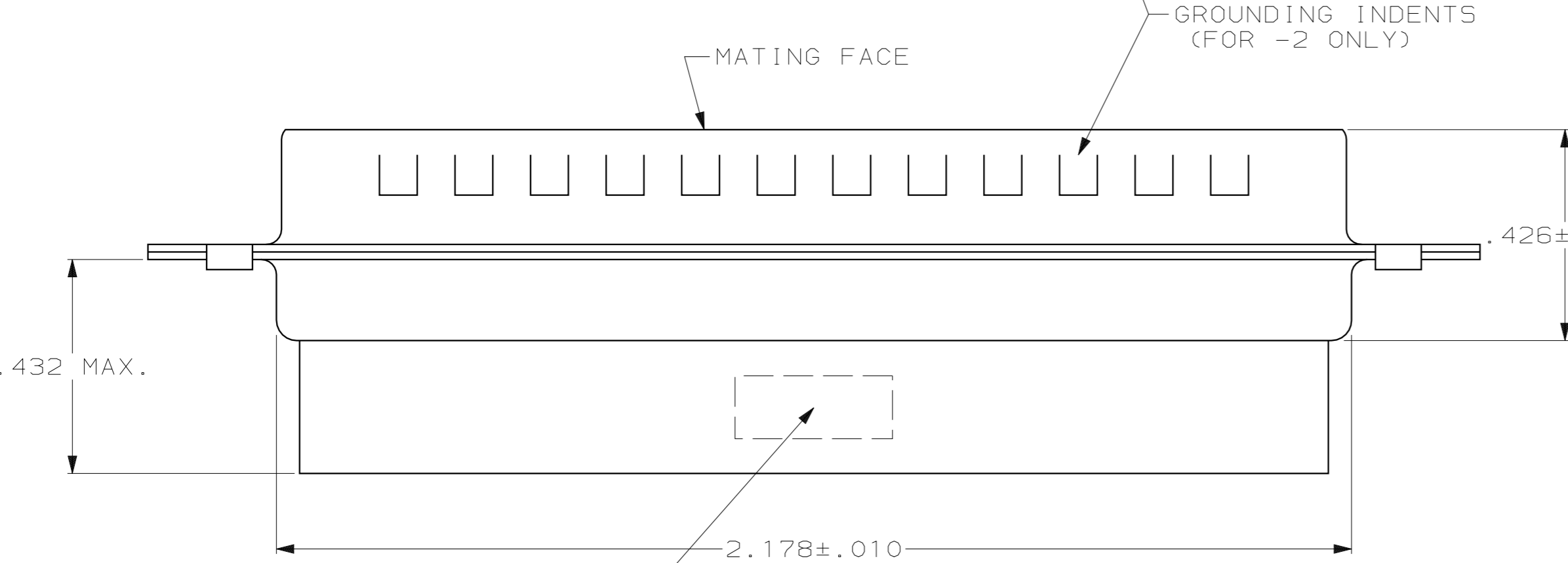


THIS DRAWING IS UNPUBLISHED. RELEASED FOR PUBLICATION
 BY AMP INCORPORATED. ALL RIGHTS RESERVED.

LOC	DIST	REVISIONS					
GP	00	P	LTR	DESCRIPTION	DATE	DWN	APVD
		A		REVISED PER EC 0513-0234-05	16JAN06	JG	CR



- 1. CONNECTOR ACCEPTS SIZE 20 DF PIN CONTACTS, RETENTION TINES ARE AN INTEGRAL PART OF INSERT.
- 2 FLAME RETARDANT 94V-0 RATED GLASS FILLED NYLON, COLOR: BLACK.
- 3 STEEL PER ASTM A109.
- 4 .000200 MIN TIN PLATE OVER .000100 MIN COPPER UNDERPLATE.
- 5 THIS DIMENSION IS .441±.010 FOR -2.
- 6 ZINC PLATED .000200-.000400 THICK, YELLOW CHROMATE COATING.



STANDARD	6	NO	1658641-3
STANDARD	4	YES	1658641-2
STANDARD	4	NO	1658641-1
PACKAGING TYPE	SHELL FINISH	GROUNDING INDENTS	PART NUMBER

THIS DRAWING IS A CONTROLLED DOCUMENT.		DWN	J. REITZEL	29JUL03	AMP Incorporated Harrisburg, PA 17105-3608
DIMENSIONS: INCH		CHK	S. BOLASH	29JUL03	
TOLERANCES UNLESS OTHERWISE SPECIFIED:		APVD	M. WALMSLEY	29JUL03	
0 PLC ±- 1 PLC ±- 2 PLC ±- 3 PLC ±.005 4 PLC ±- ANGLES ±2°		PRODUCT SPEC	108-40005	NAME	
MATERIAL MOLDED PARTS: 2	FINISH	APPLIC. SPEC	114-40030	SIZE	A2
SHELLS: 2	SHELLS: SEE TABLE	WEIGHT	-	CAGE CODE	00779
CUSTOMER DRAWING			SCALE	4:1	SHEET 1 OF 1

1658641